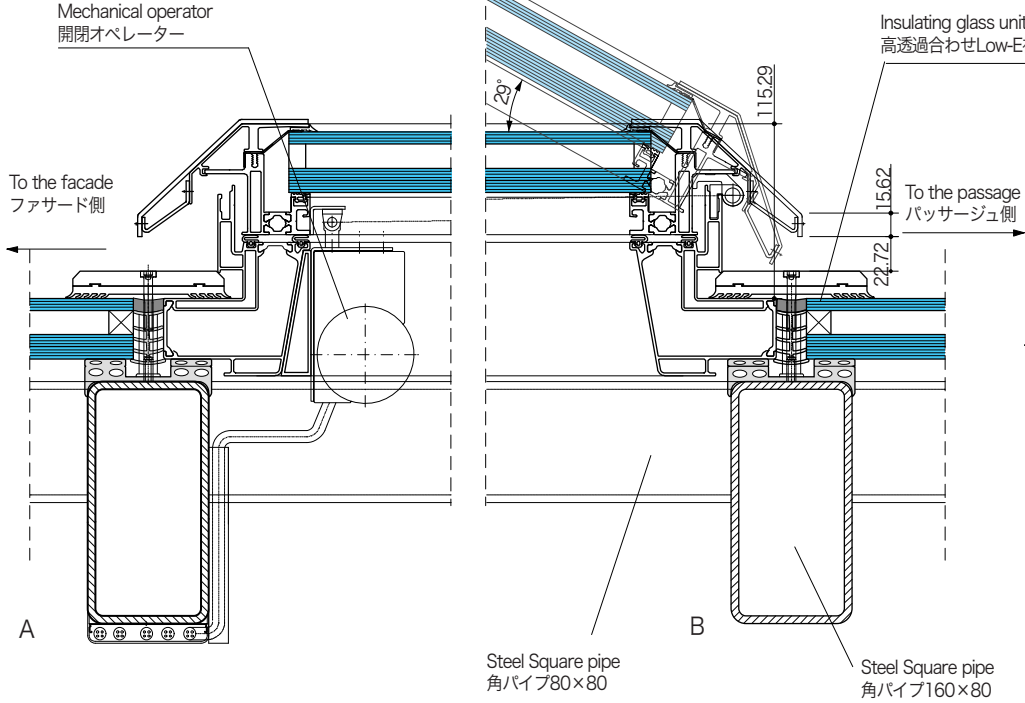
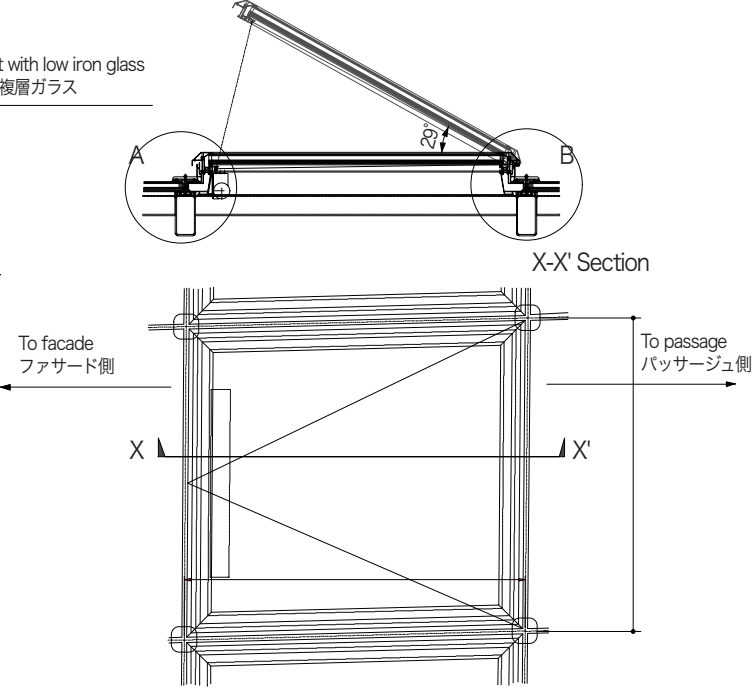


Section and detail of top light



Detail S.1:10



Plan S.1:50