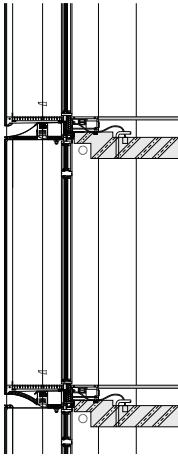
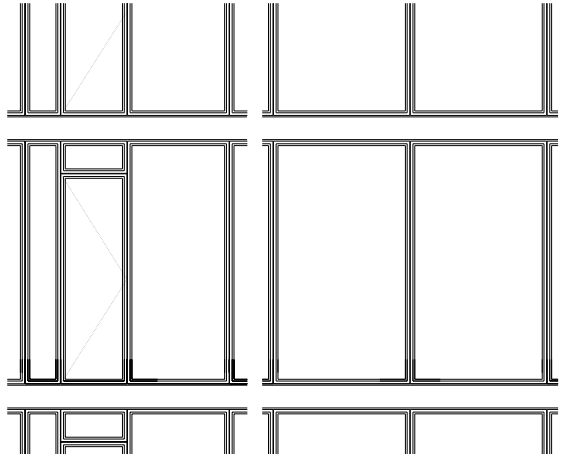


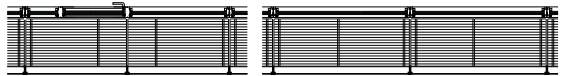
Plan, section and detail of the "double-skin" façade at a "Wing"



Section

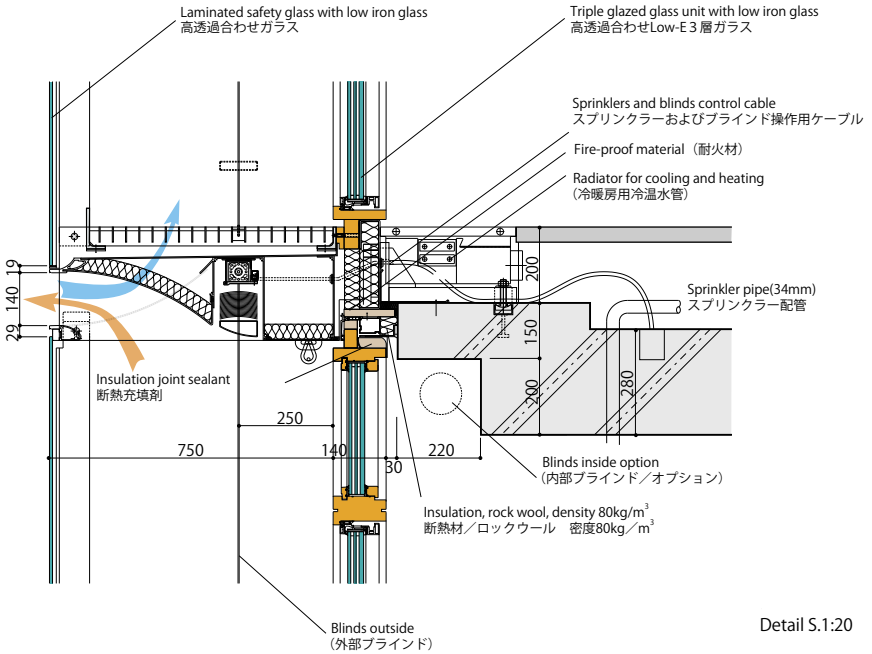


Elevation



Plan

S.1:100



Detail S.1:20